

## IEC Appliance Connector C14 with Fuseholder, Bowden-Line Switch 2-pole and Voltage Selector

Medical fuse drawer



C14



70° C

**Description**

- Panel Mount:  
Screw-on version from front or rear side, snap-in version from front side
- 4 Functions:  
Inlet, Protection class I Line switch for bowdencable actuation, 2-pole Fuseholder with interchangeable fuse drawer for Fuse-links 5 x 20 mm or 6.3 x 32 mm, Voltage selector
- Quick connect terminals 4.8 x 0.8 mm
- Alternative: version with line filter [CG-Bowdencable](#)

**Approvals**

- VDE License Number: 40011909
- UL License Number: E93617
- CSA License Number: 38456

**Characteristics**

- All single elements are already partially wired
- For added safety "Extra-Safe" fuse drawers are available  
Fuse drawer meets requirements of medical standard IEC/EN 60601-1  
The fuse drawer can only be opened with the aid of a tool  
The fuseholder is accessible from the equipment front
- Qualified for use in equipment according IEC/EN 60950

**Other versions on request**

- For protection class II

**Weblinks**

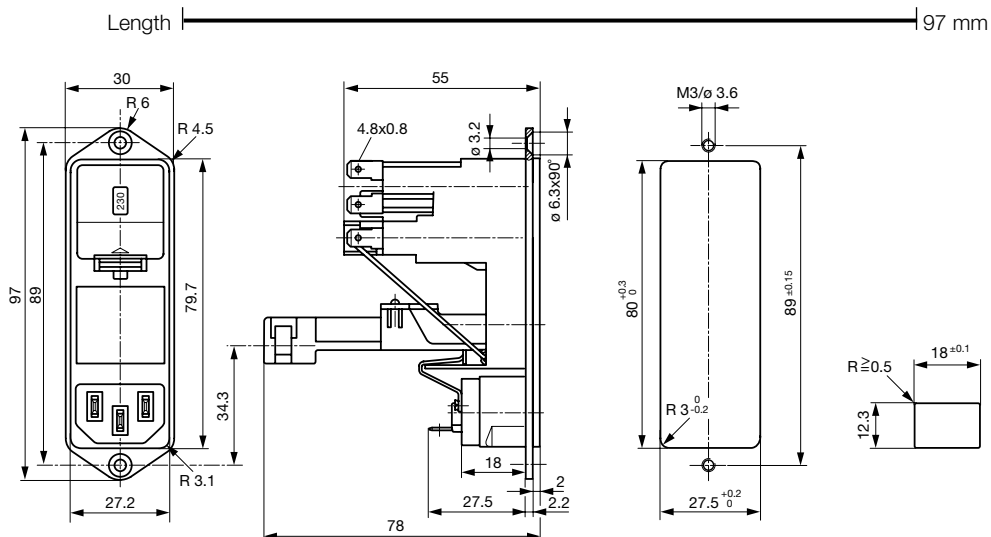
[Approvals](#), [RoHS](#), [CHINA-RoHS](#), [e-Store](#), [SCHURTER-Stock-Check](#), [Distributor-Stock-Check](#)

**Technical Data**

Ratings IEC	6 A / 250 VAC; 50 Hz	Appliance-Inlet/-Outlet	C14 acc. to IEC/EN 60320-1, UL 498, CSA C22.2 no. 42 (for cold conditions) pin-temperature 70 °C, 10 A, Protection class I
Ratings UL/CSA	8 A / 125 VAC; 60 Hz	Fuseholder	1 or 2 pole, Shocksafe category PC2 acc. to IEC 60127-6, for fuse-links 5 x 20 or 6.3 x 32 mm
Allowable Operation Temp.	-25 °C to 70 °C	Rated Power Acceptance @ Ta 23 °C	5 x 20: 2.5 W (1 pole)/ 2 W (2-pole) per pole 6.3 x 32: 3.15 W (1 pole)/ 2.5 W (2-pole) per pole
Degree of Protection	from front side IP 40 acc. to IEC 60529	Power Acceptance @ Ta > 23 °C	Admissible power acceptance at higher ambient temperature see derating curves
Protection Class	Suitable for appliances with protection class I acc. to IEC 61140	Line Switch	Switch for bowdencable 2-pole, non-illuminated, acc. to IEC 61058-1 <a href="#">Technical details</a>
Terminal	Quick connect terminals 4.8 x 0.8 mm	Voltage selector	series-parallel, 4, 3 or 2 switch positions or usable as 2-pole change-over switch
Panel Thickness s	Screw-on: max 8 mm Mounting screw torque max 0.5 Nm Snap-in: 1.5/2/2.5 mm		
Material: Housing	Thermoplastic, black, UL 94V-0		

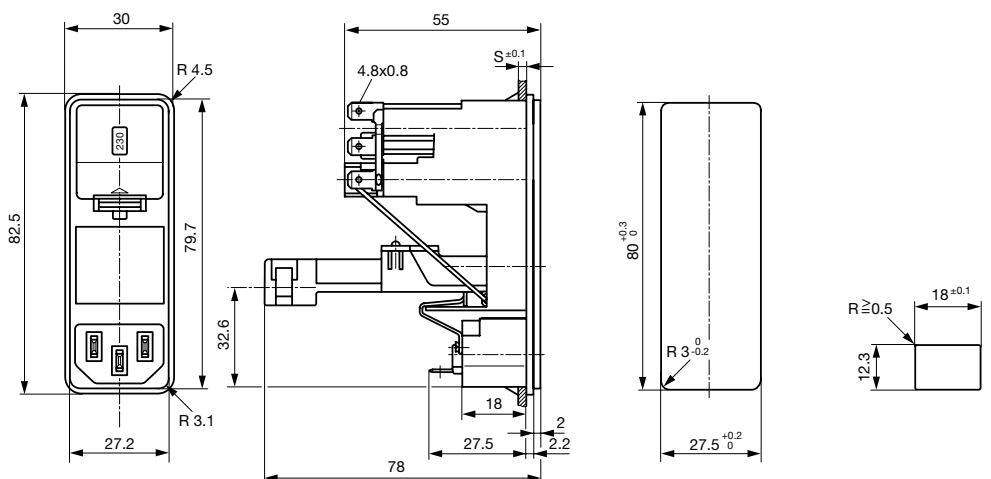
## Dimensions

Screw-on mounting



Panel cut-out for the actuating part

Snap-in mounting

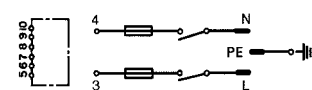
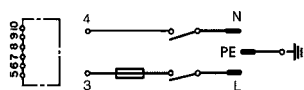


Panel cut-out for the actuating part

## Diagrams

with partial internal connections

with partial internal connections



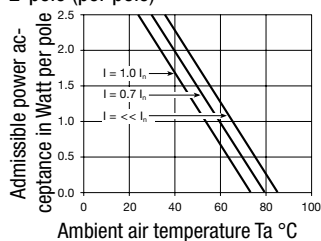
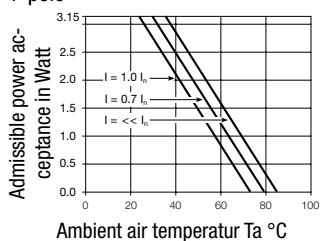
1-pole

2-pole

## Derating Curves for Fuseholders

1-pole

2-pole (per pole)



## Variants

Distributor-Stock-Check | SCHURTER-Stock-Check | e-Store

Bowdencable must be ordered separately

Type	Panel mounting	Panel Thickness s [mm]	Fuseholder	Line Switch	Order Number
KG-Bowdencable	Snap-in	1.5	1 pole	Switch for bowdencable	KG15.6199.105
KG-Bowdencable	Snap-in	2	1 pole	Switch for bowdencable	KG15.6199.107
KG-Bowdencable	Snap-in	2.5	1 pole	Switch for bowdencable	KG15.6199.109
KG-Bowdencable	Snap-in	1.5	2-pole	Switch for bowdencable	KG10.6199.105
KG-Bowdencable	Snap-in	2	2-pole	Switch for bowdencable	KG10.6199.107
KG-Bowdencable	Snap-in	2.5	2-pole	Switch for bowdencable	KG10.6199.109
KG-Bowdencable	Screw-on	-	1 pole	Switch for bowdencable	KG15.6199.151
KG-Bowdencable	Screw-on	-	2-pole	Switch for bowdencable	KG10.6199.151

**Packaging unit** 10 Pcs

## Required Accessory

### Description



**Bowdencables incl. accessory**  
Bowden Cable for Power Entry Modules



**Jumper Wire 1**  
Connection with Starnded Cable

Type B, 100	0881.0074
Type B, 100	0881.0075
Type A, 100	0881.0076
Type A, 100	0881.0077



**Fusedrawer 1**  
Drawer for fuse links 5x20mm resp. 6.3x32mm

5 x 20, 2-pole	4305.0001
5 x 20, 1 pole	4305.0006
6.3 x 32, 2-pole	4305.0011
6.3 x 32, 1 pole	4305.0016

...



**Voltage Selectors Insert 1**  
Voltage Selector Insert to KE, CE, KG, CG

3 or 4 switch positions	4305.0048.00
1, 3 or 4 switch positions, 100, 120, 220, 240	4305.0048.01
3, 3 or 4 switch positions, 130, 110, 240, 220	4305.0048.02
2, 2 switch positions, 110, 220	4305.0048.03

...

## Accessory



**Cord retaining kits**  
Cord retaining strain relieve

Flat head, A	4700.0001
--------------	-----------